



Assembly

S Series

Classic Swing Set
(15_901_020_00)

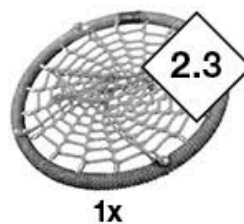
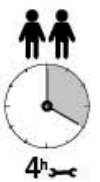
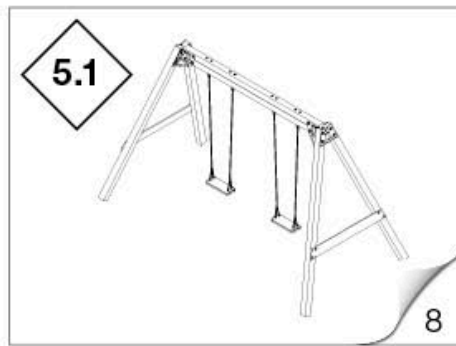
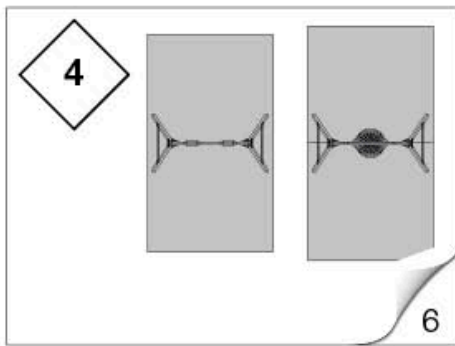
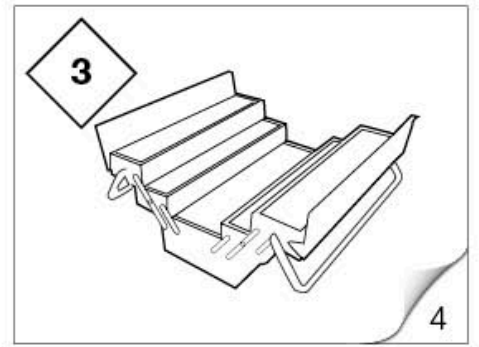
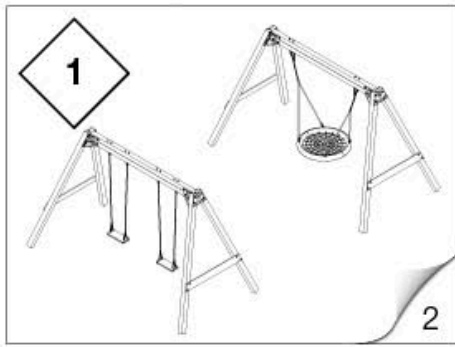


Nest Swing Set
(15_901_025_00)

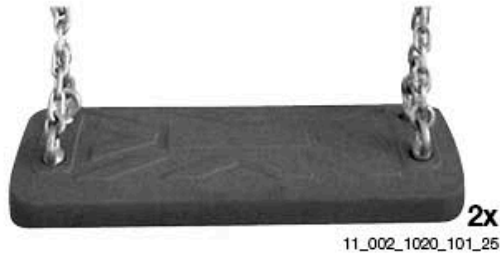
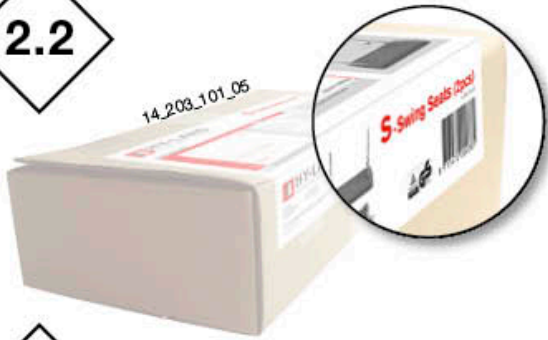


Owner's Manual

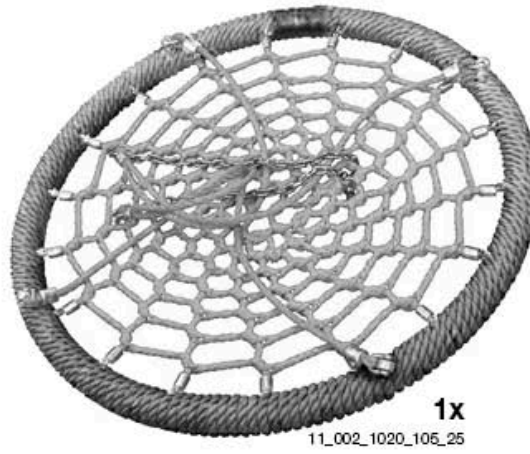
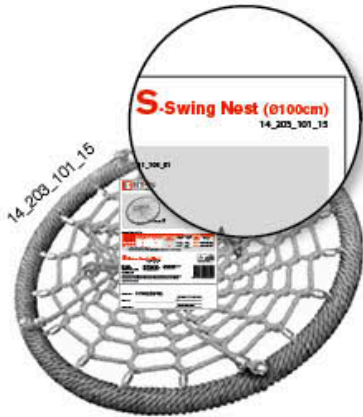
Assembly steps



2.2



2.3



2.4

Timber

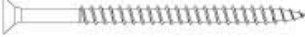


3.1

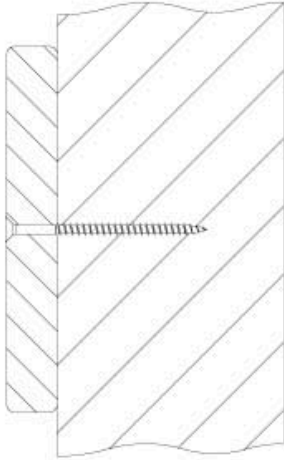
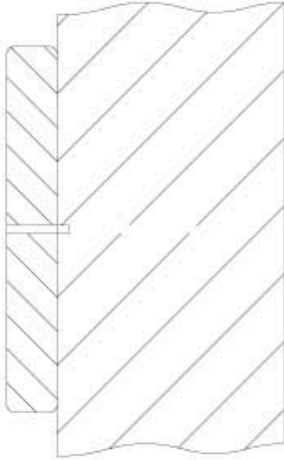
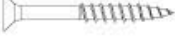


3.2

80 mm



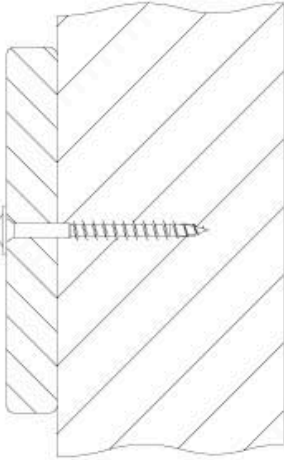
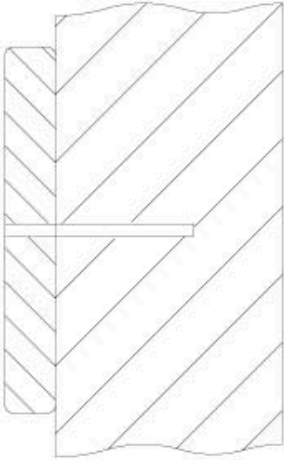
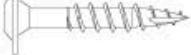
45 mm



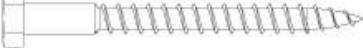
80 mm



45 mm



90 mm



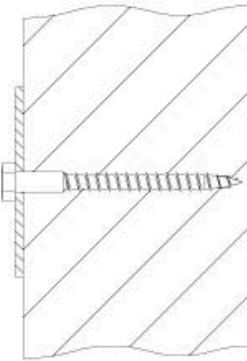
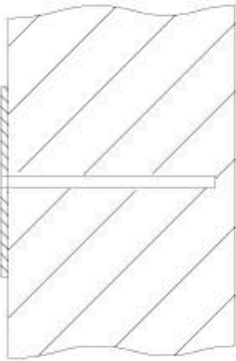
50 mm



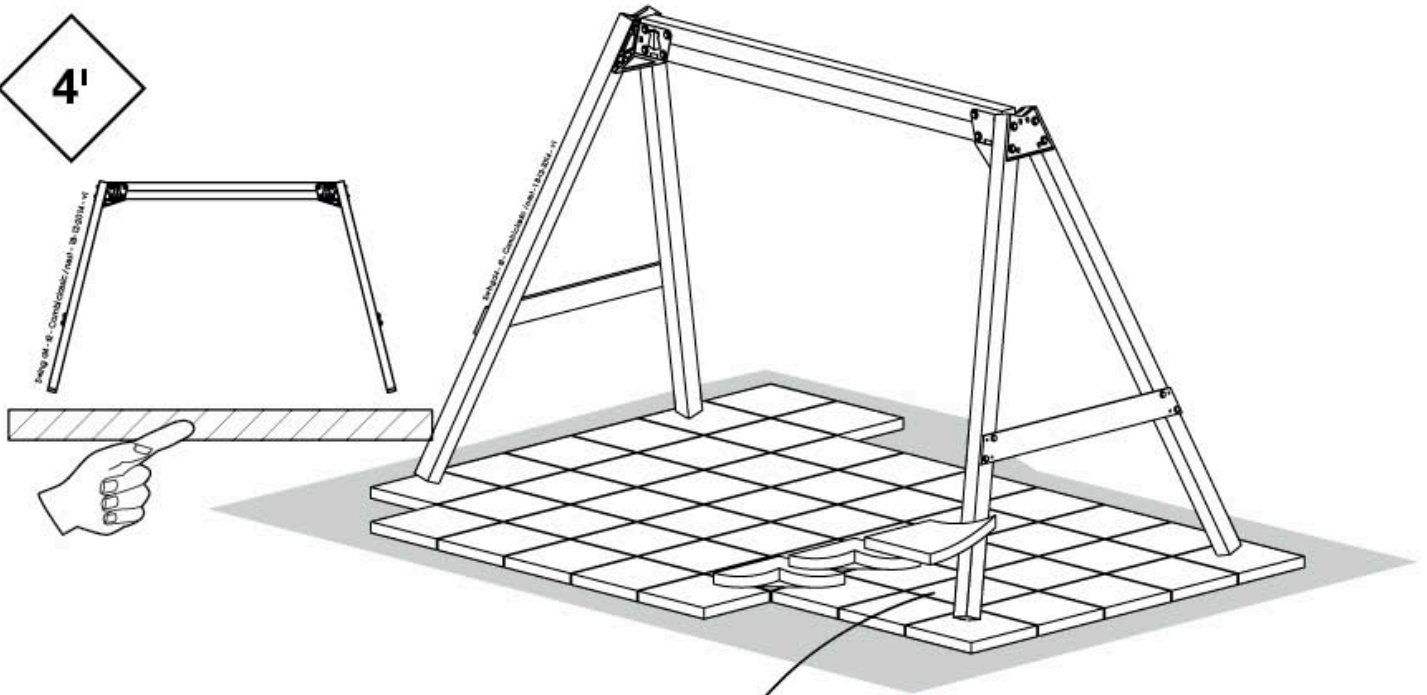
80 mm



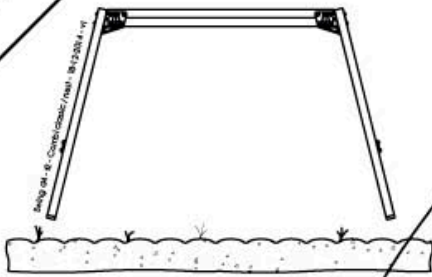
45 mm



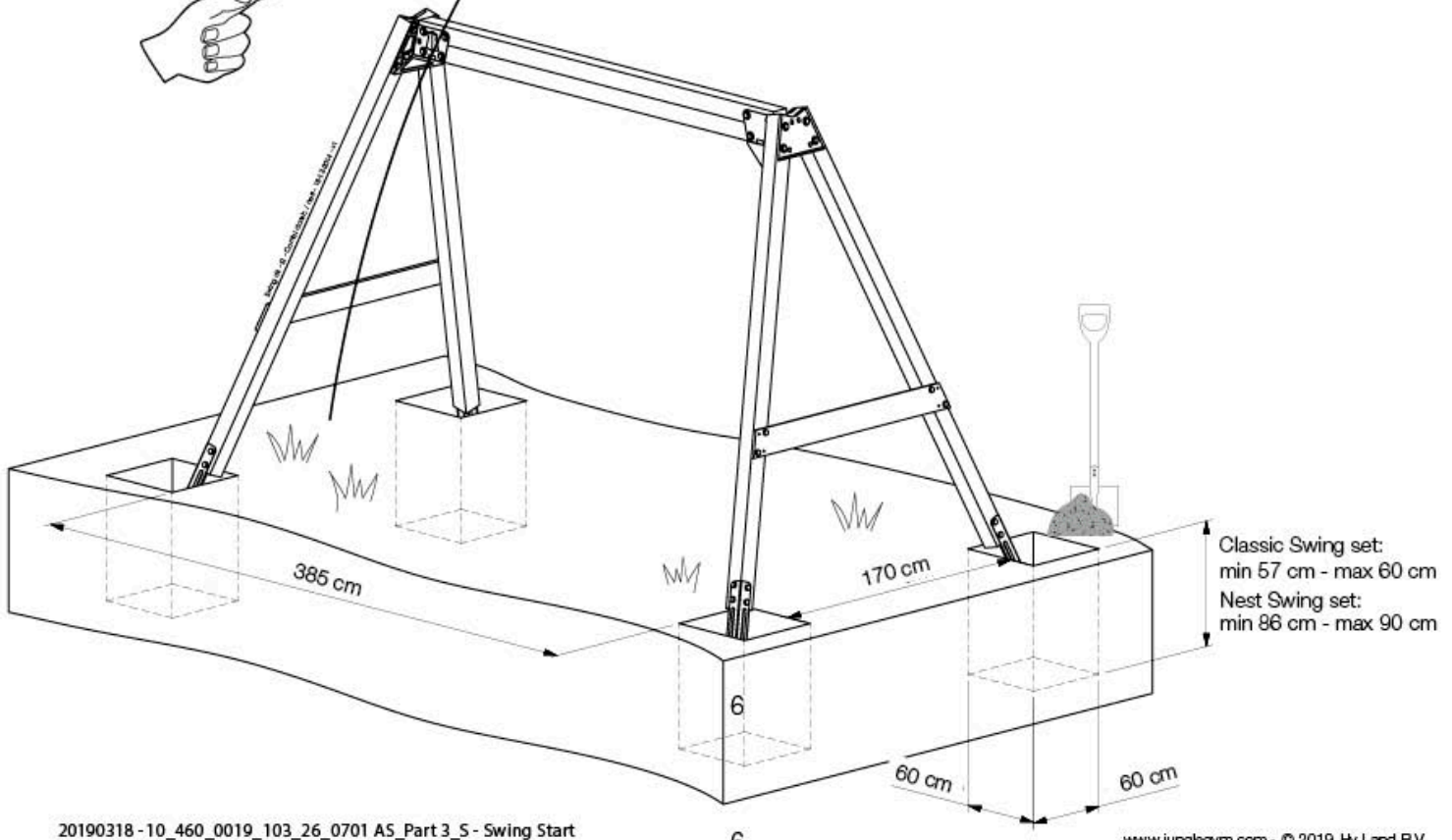
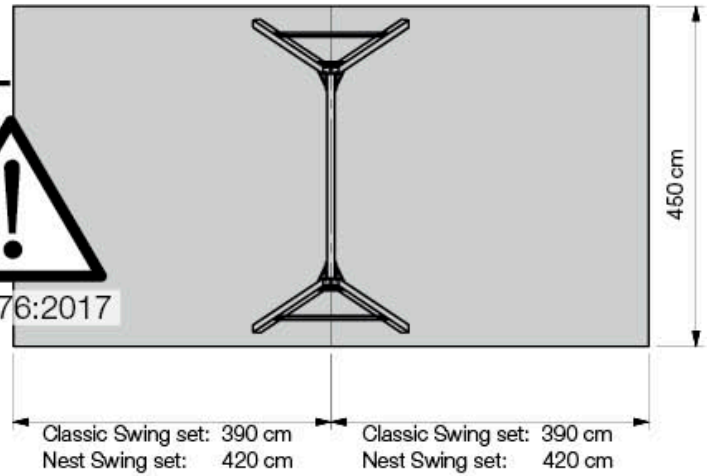
4'



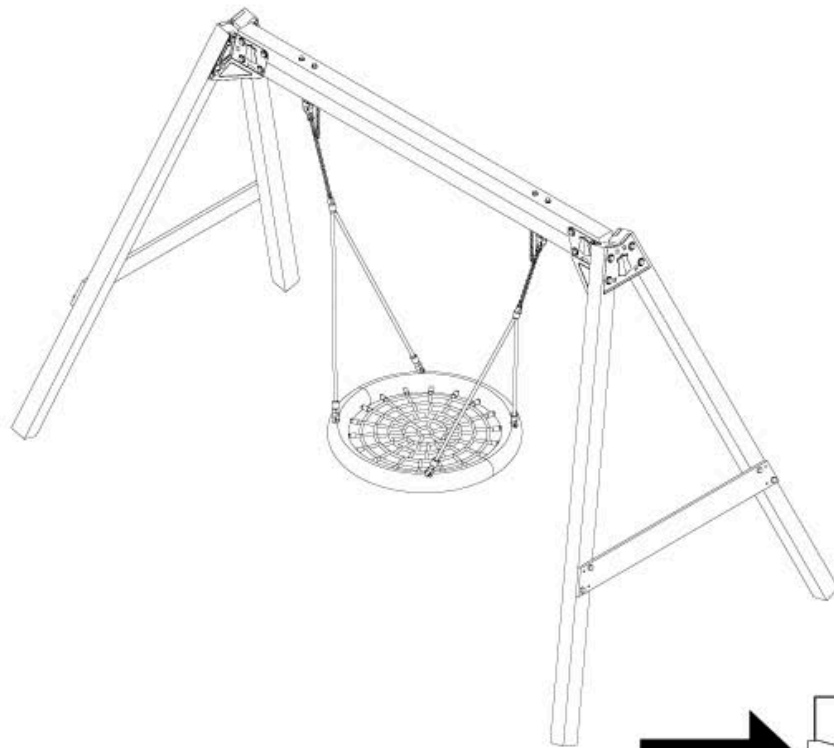
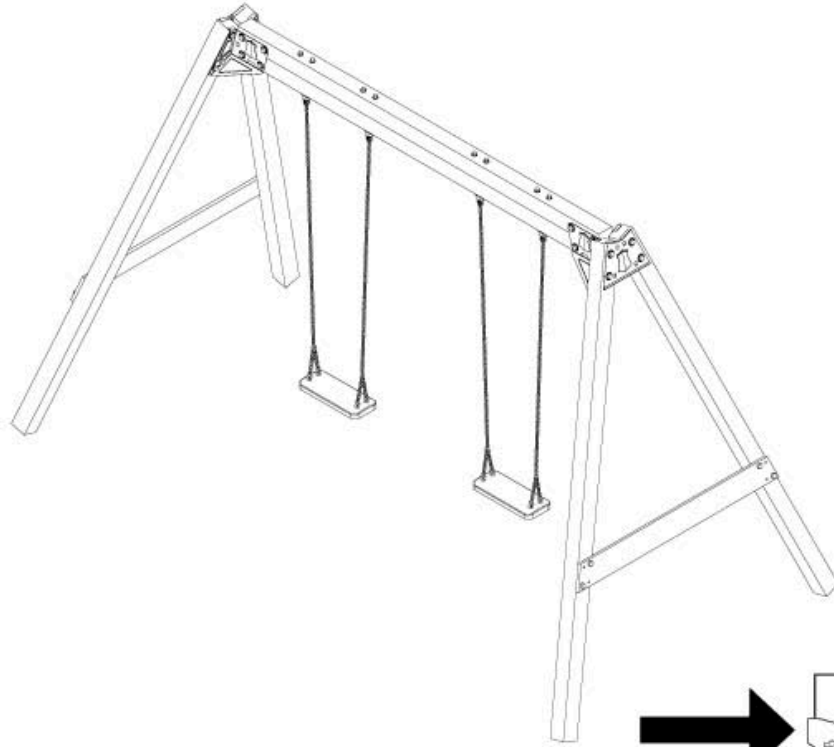
4"



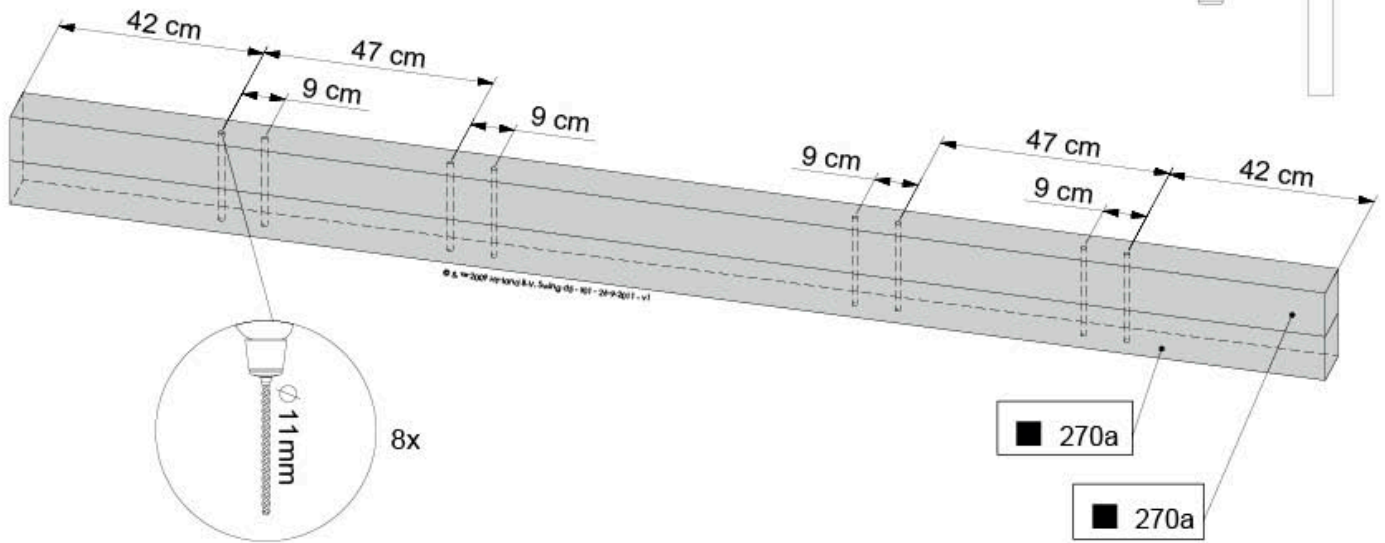
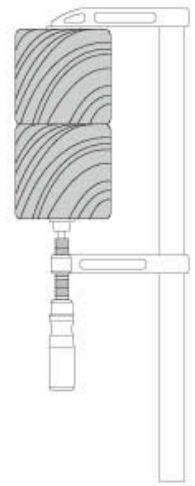
EN 1176:2017



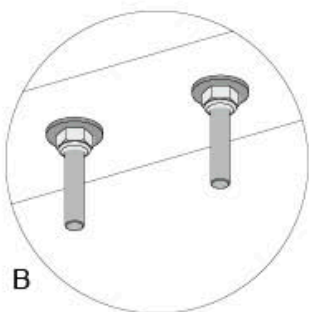
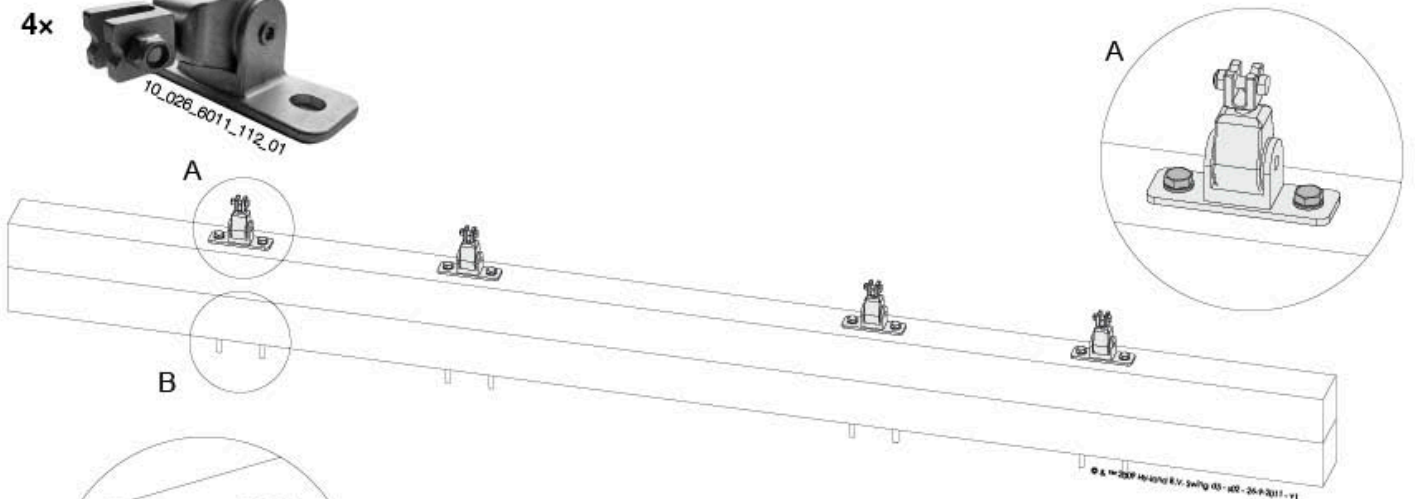
5




5.1a

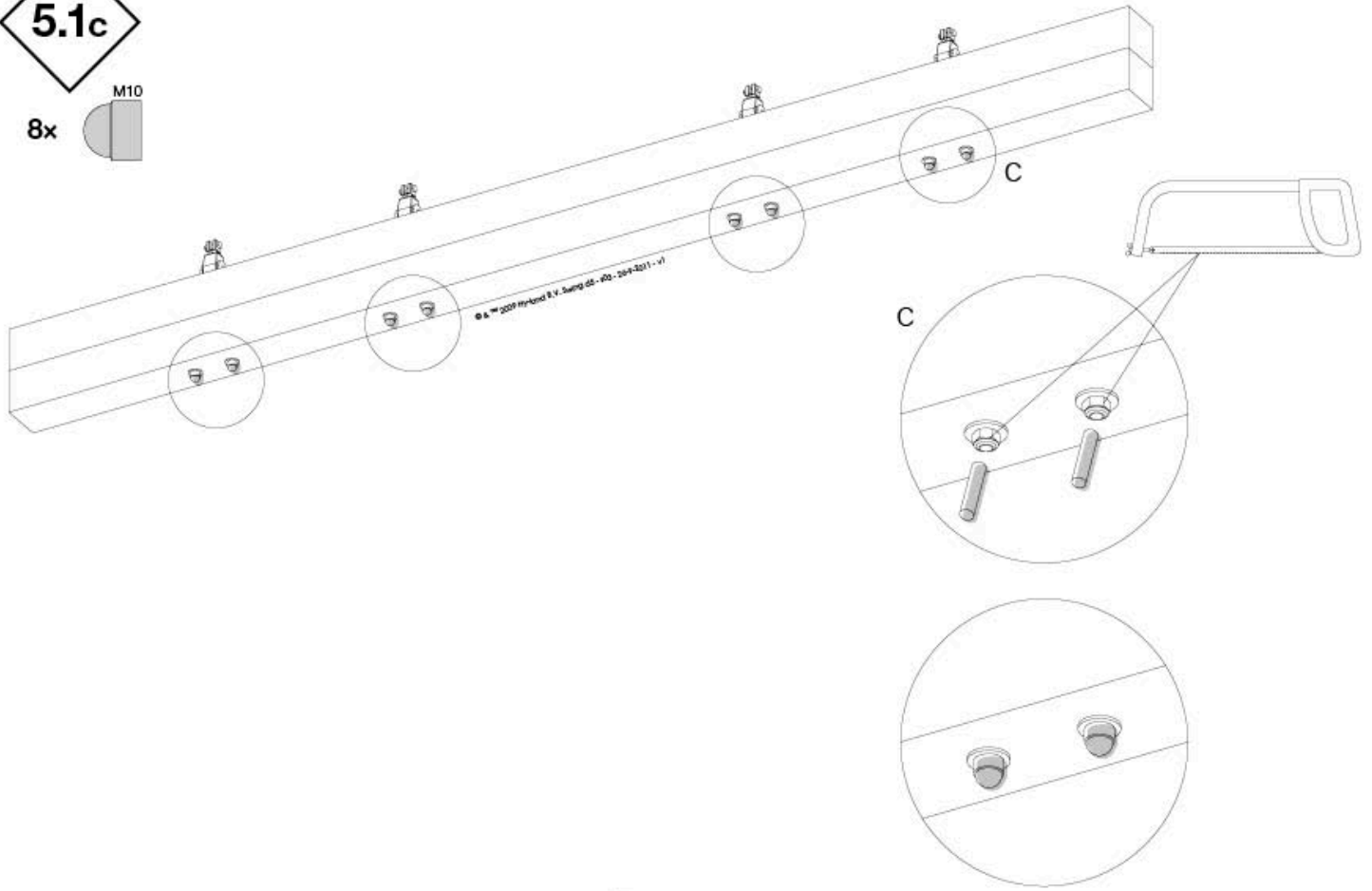


5.1b






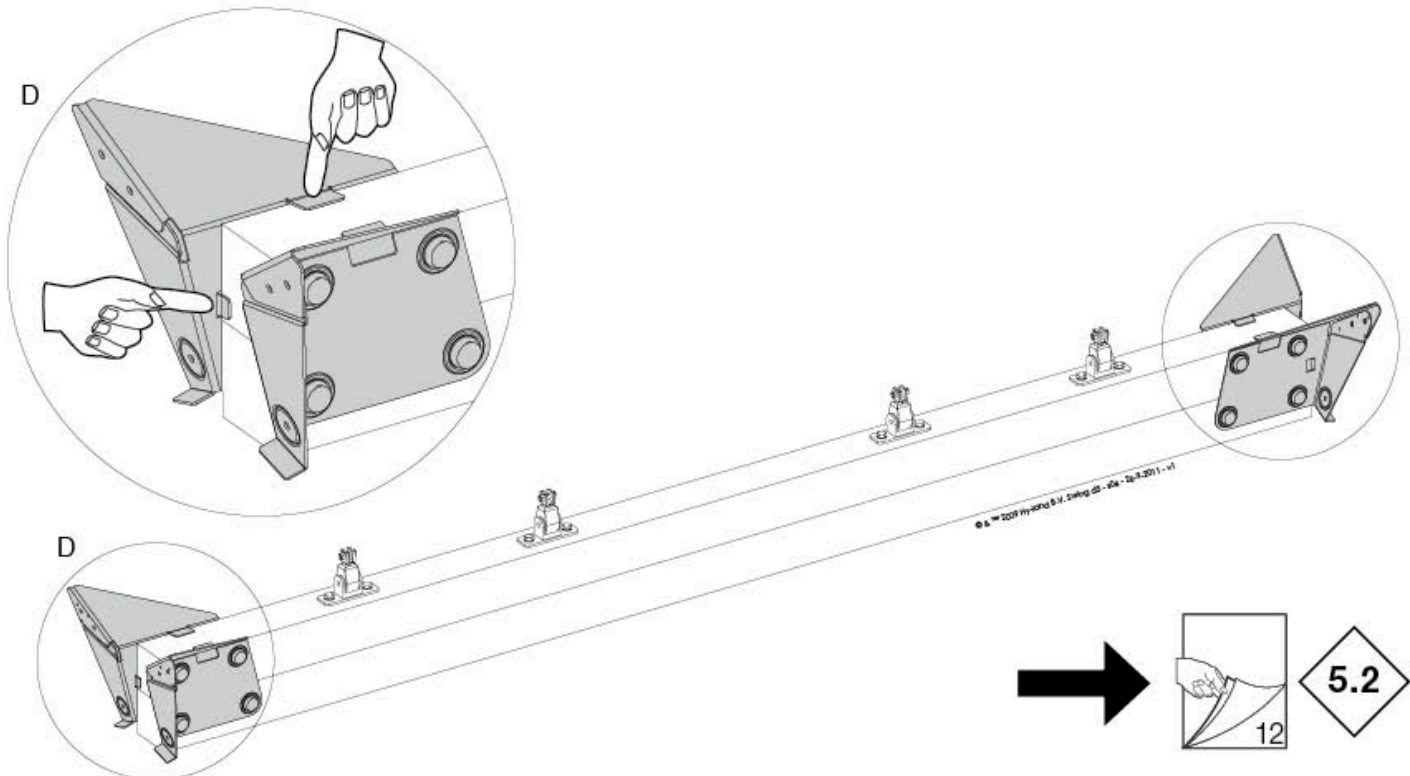
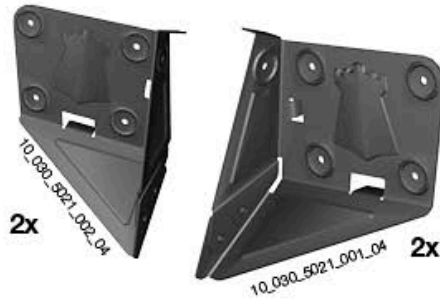
5.1c

8x  M10

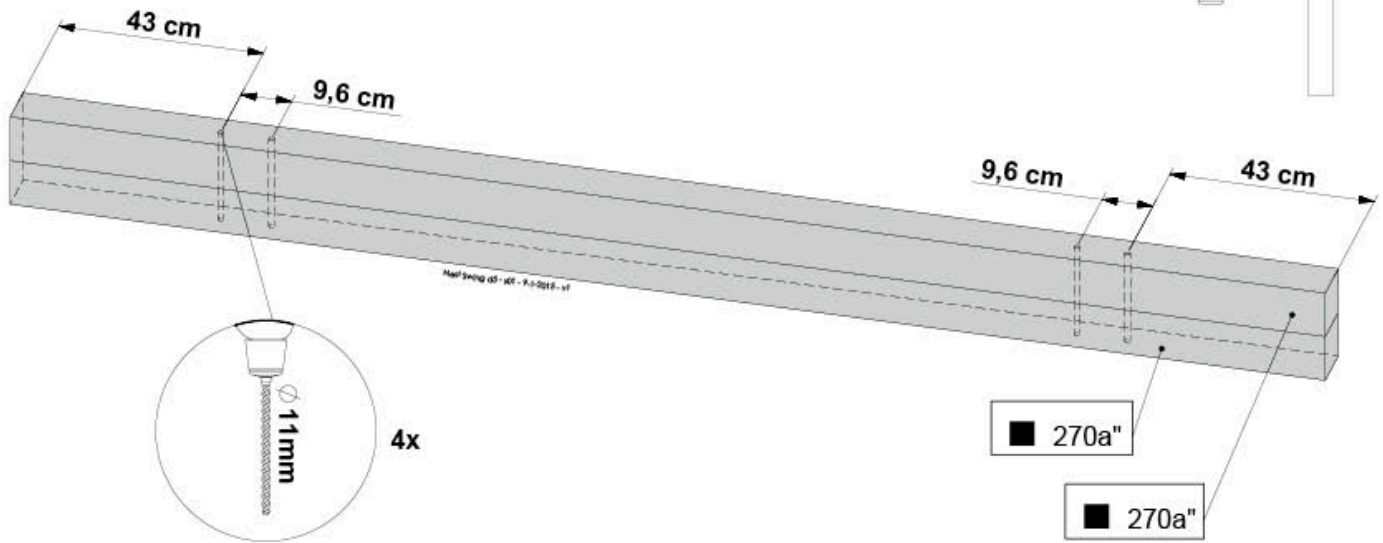
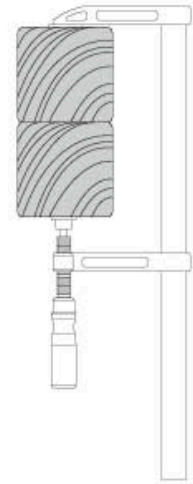


5.1d

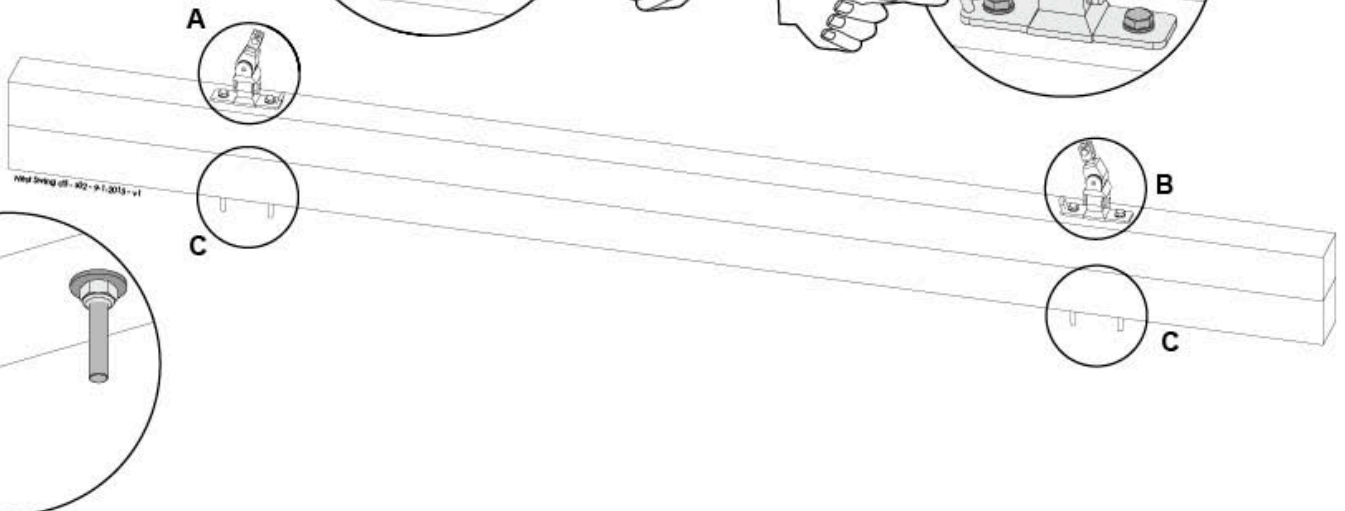
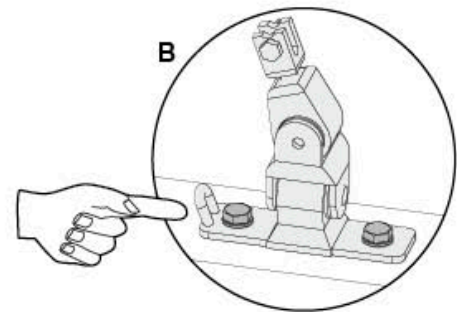
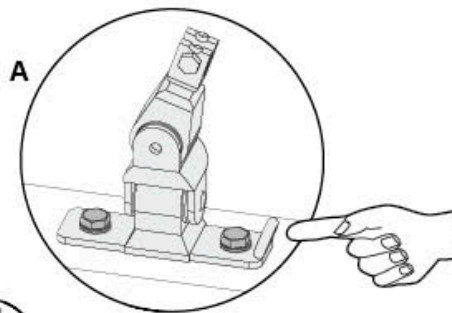
16x  50 mm  Ø17 mm 



5.1" a

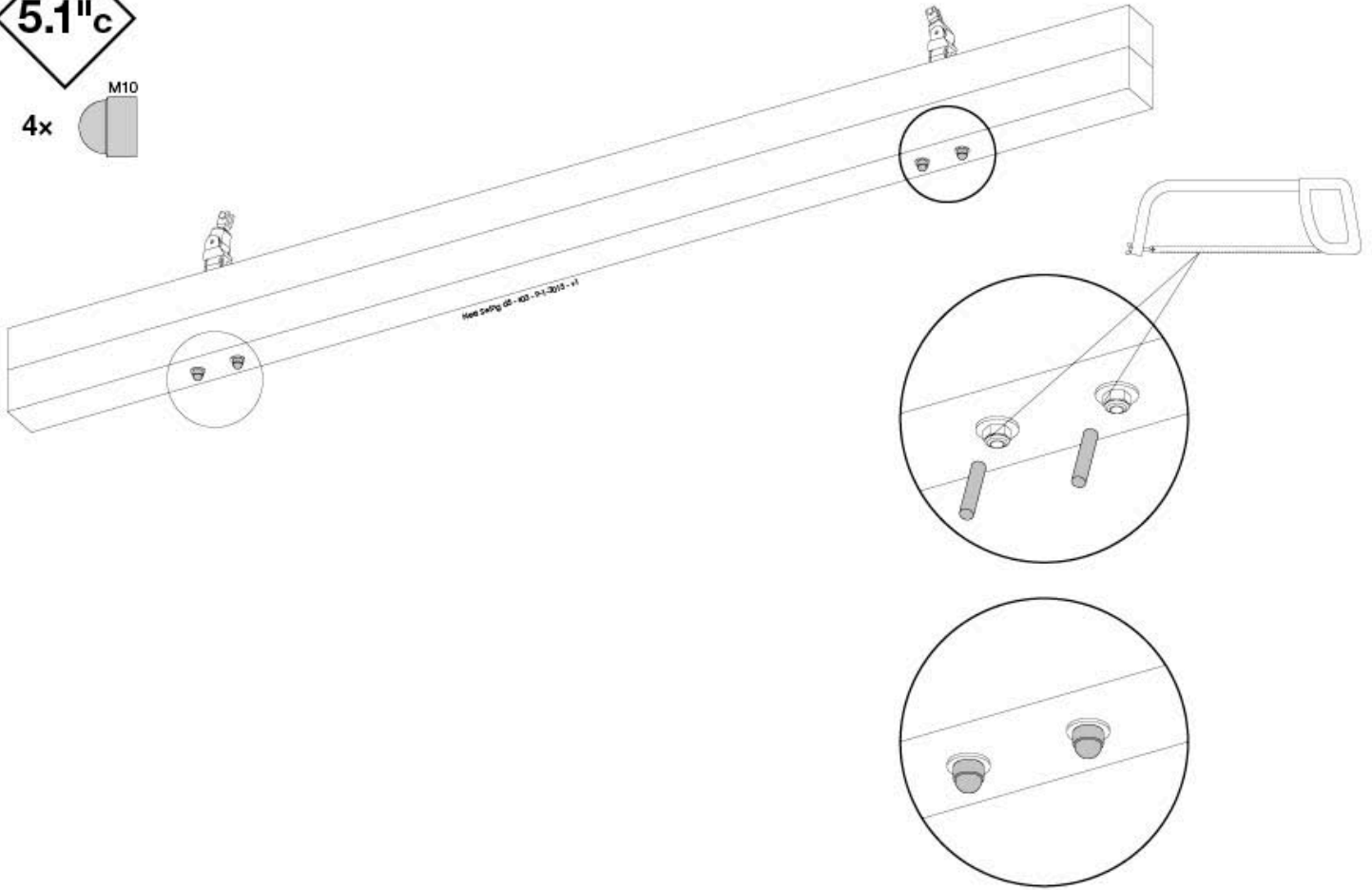


5.1" b



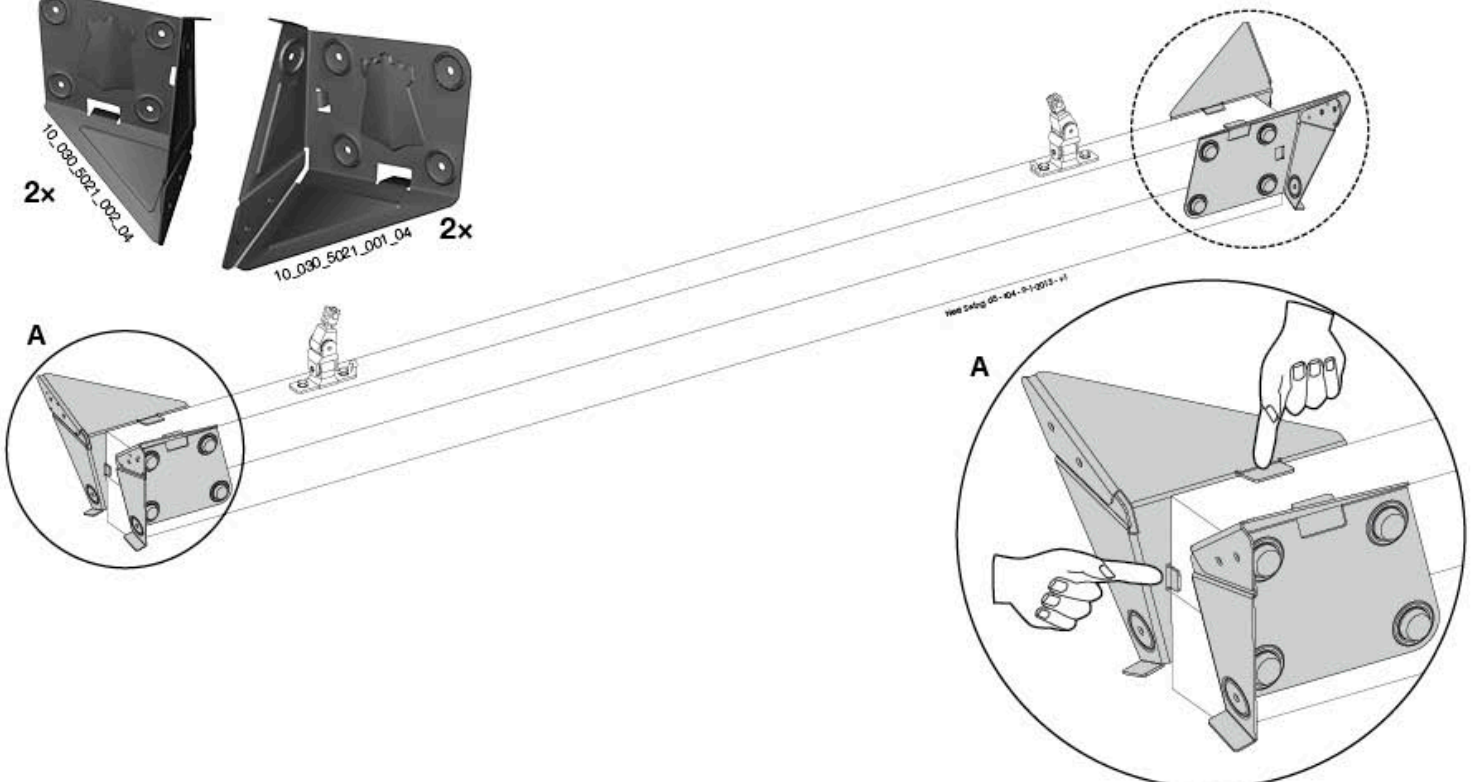
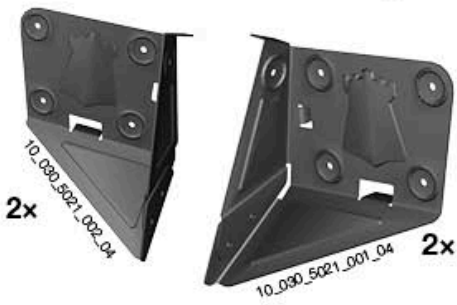
5.1" c

4x M10

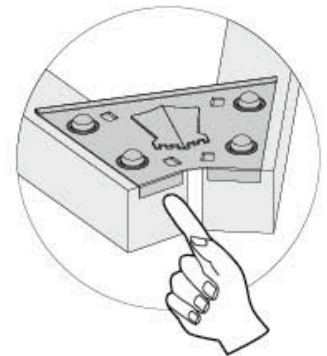
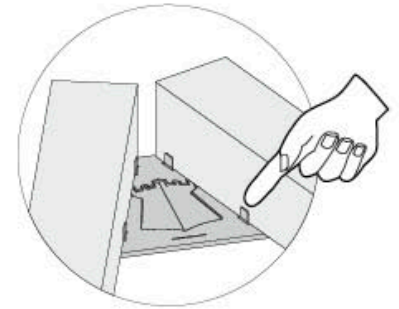
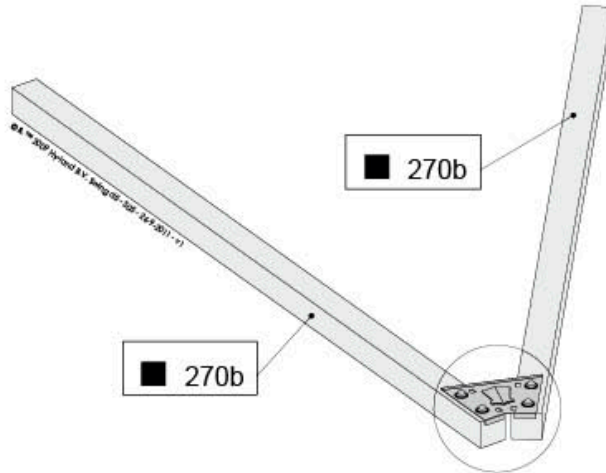
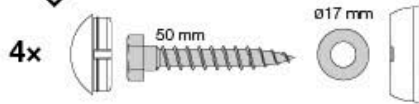


5.1" d

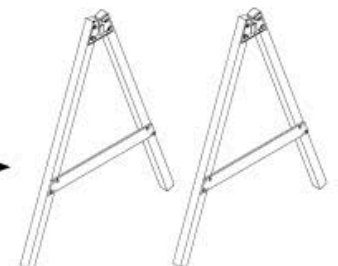
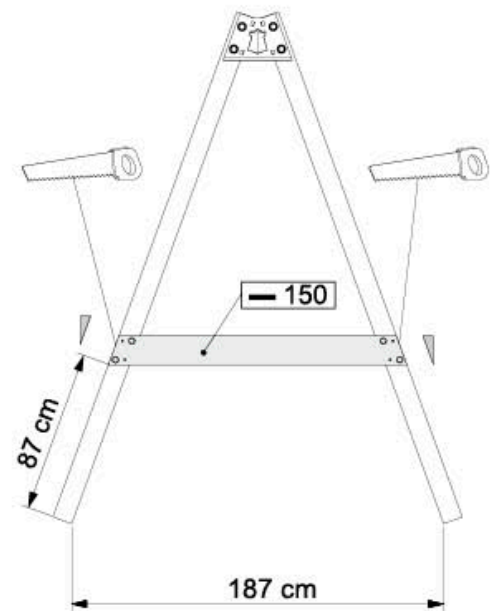
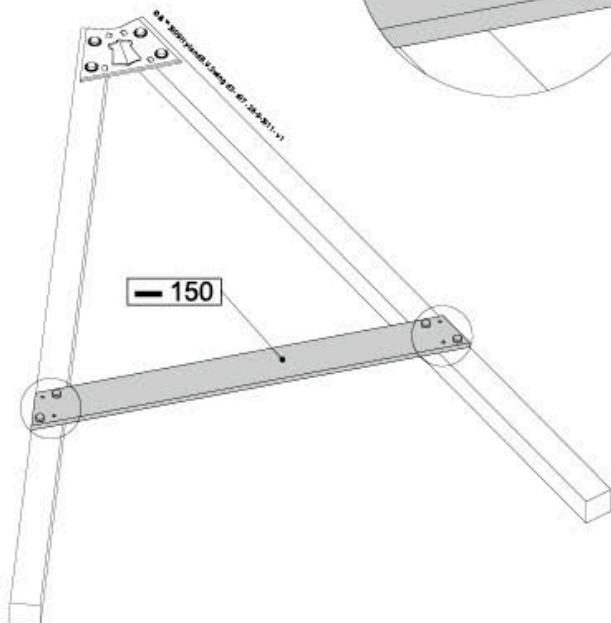
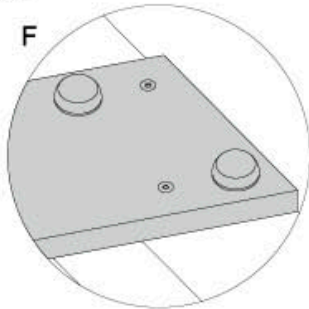
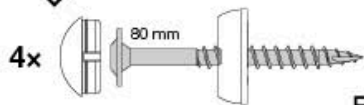
16x 50 mm $\varnothing 17$ mm



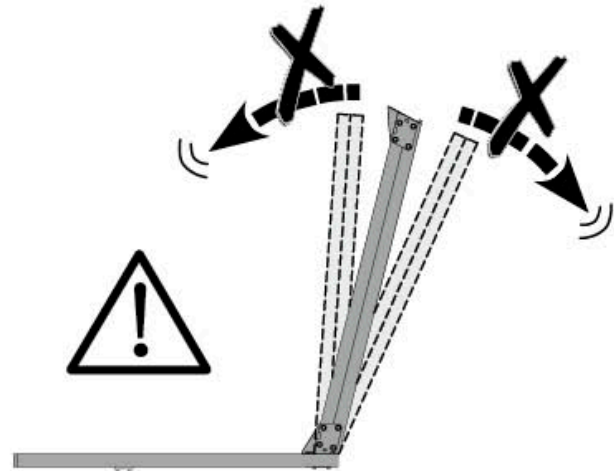
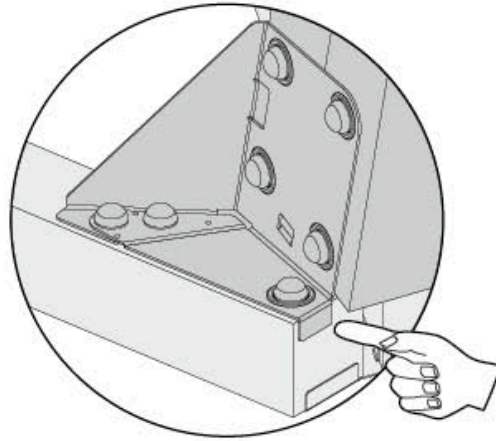
5.2a



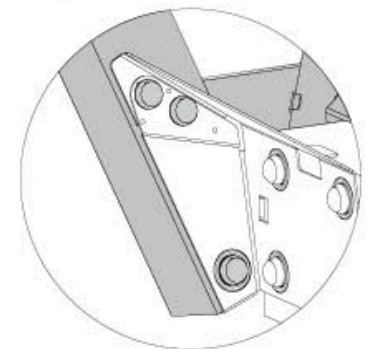
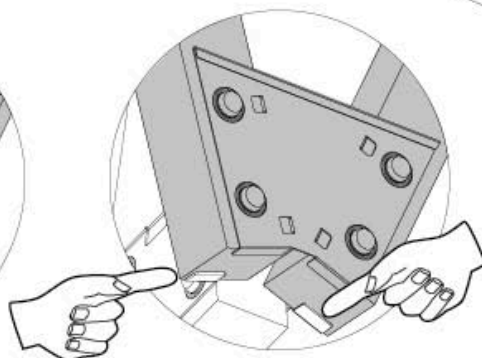
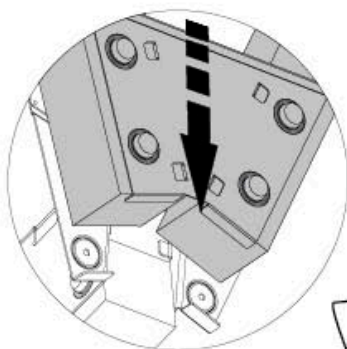
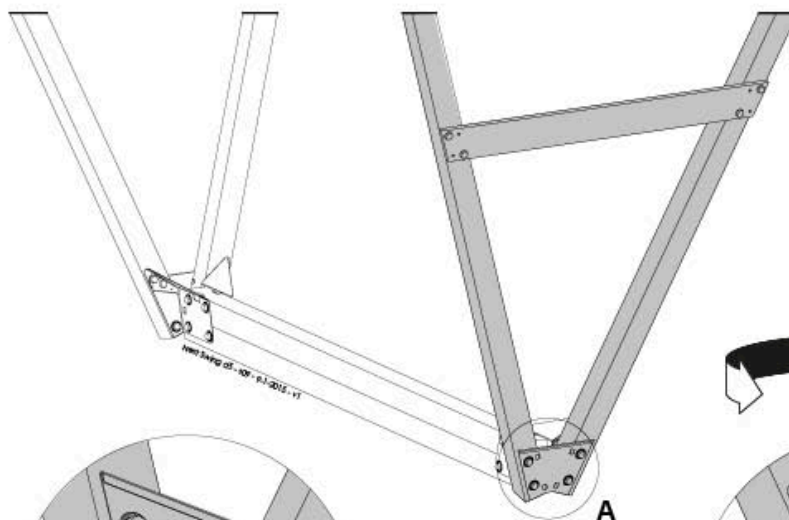
5.2b



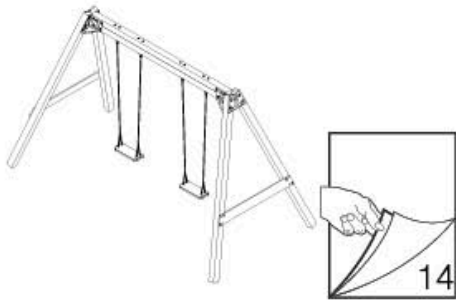
5.3a



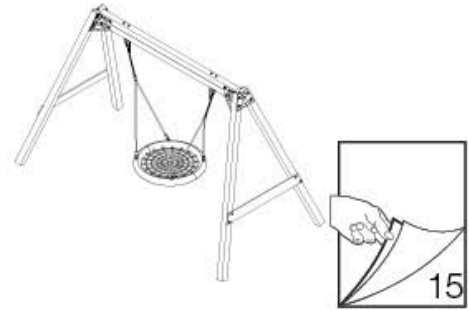
5.3b



5.4



5.4a



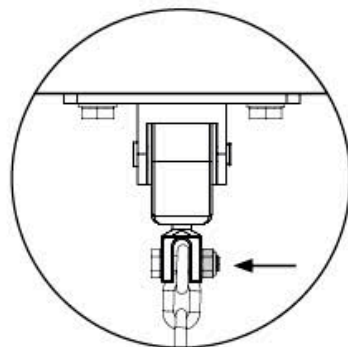
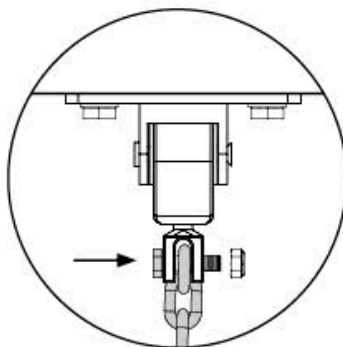
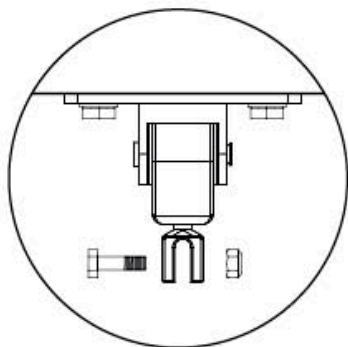
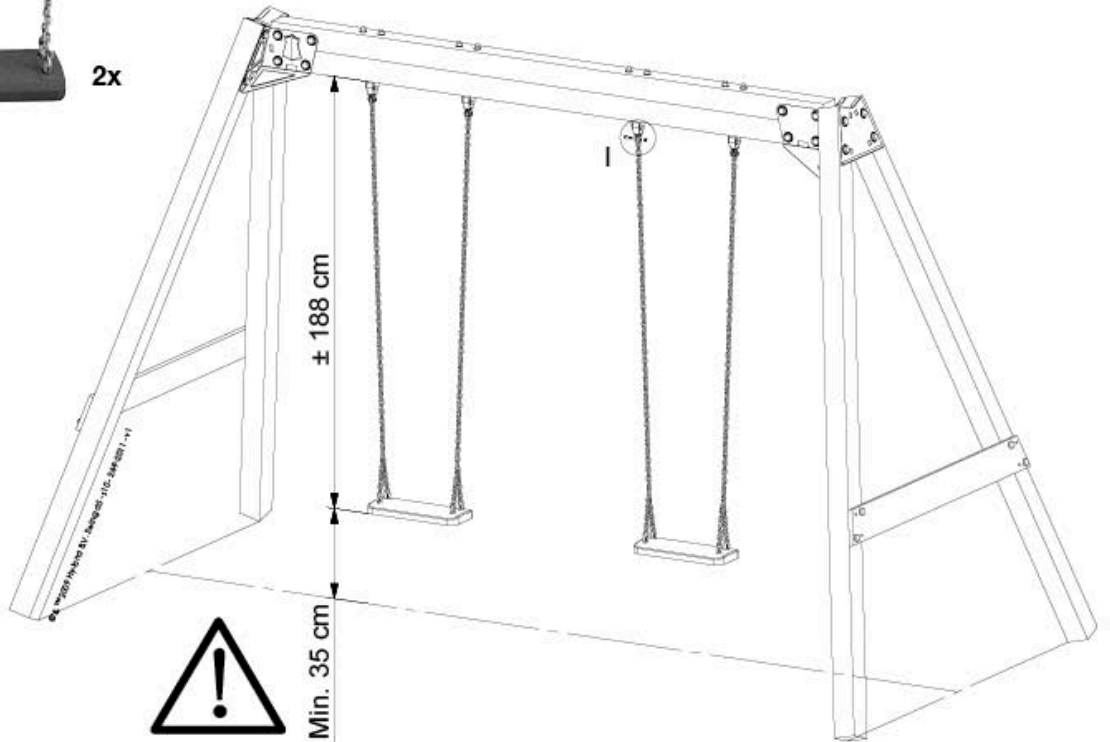
5.4a

5.4a

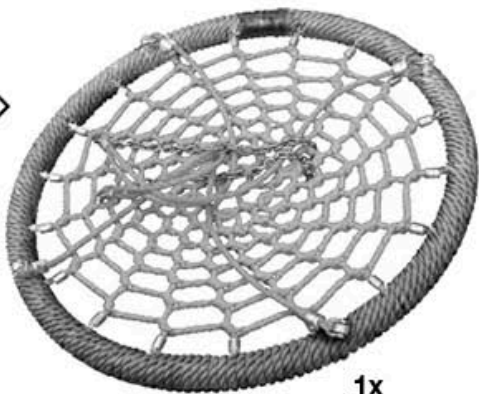
11_002_1020_101_25



2x



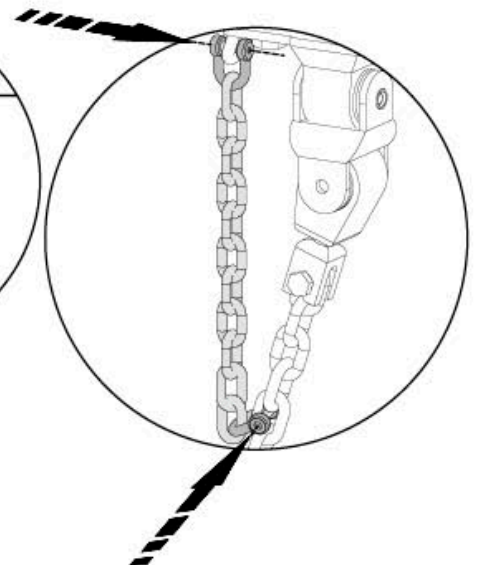
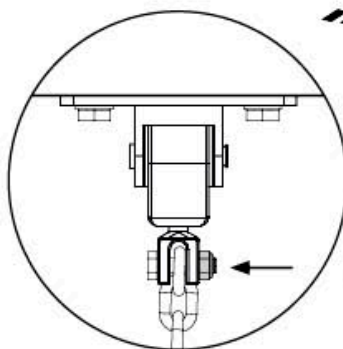
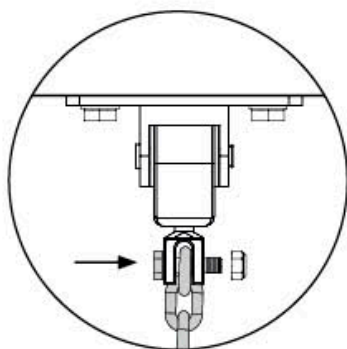
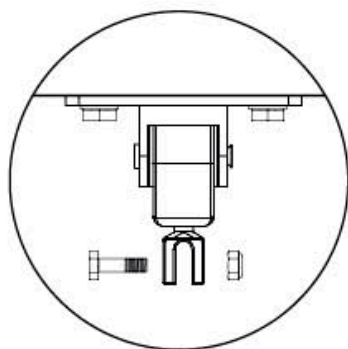
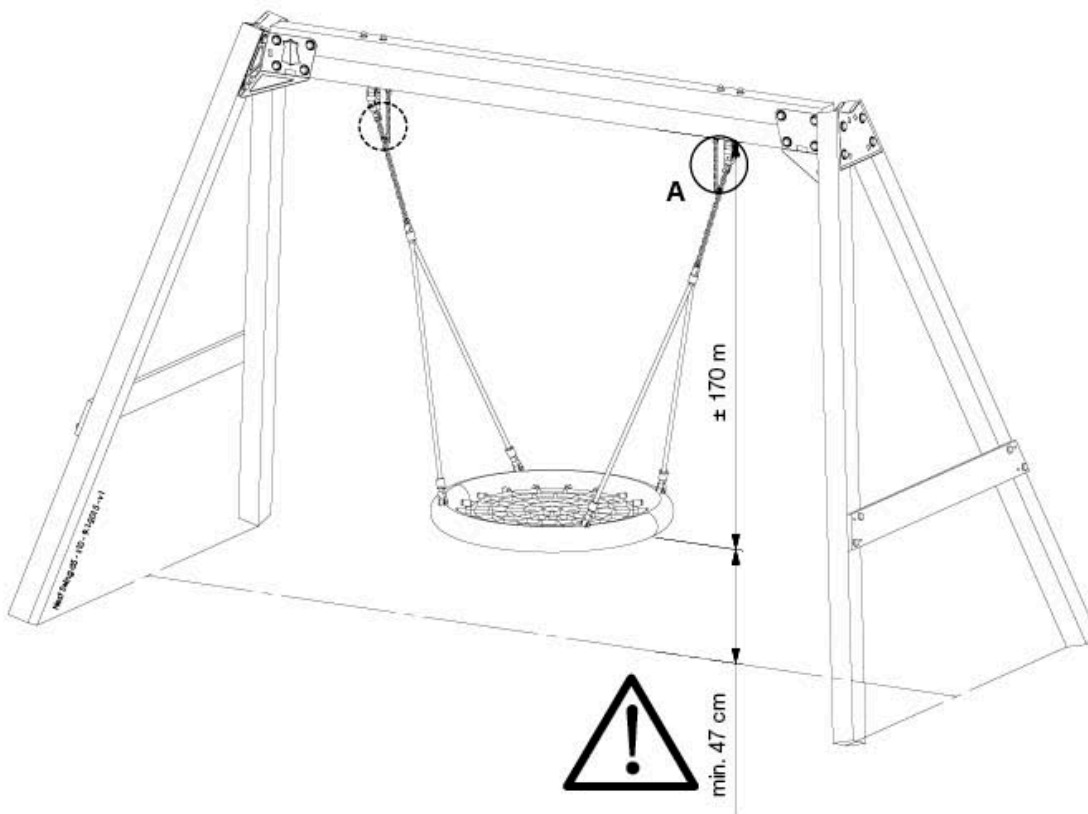
5.4" a



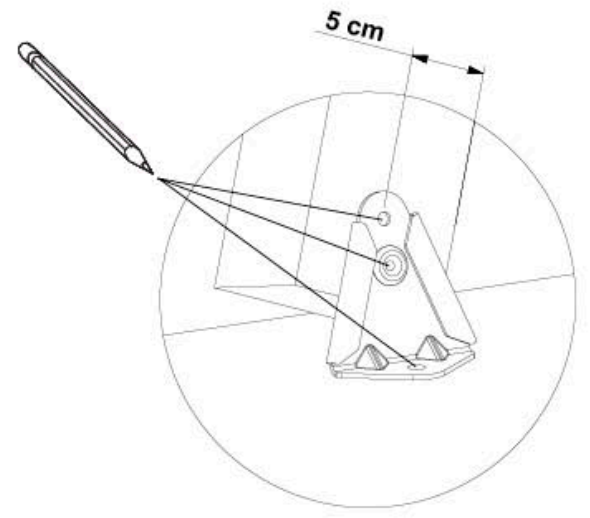
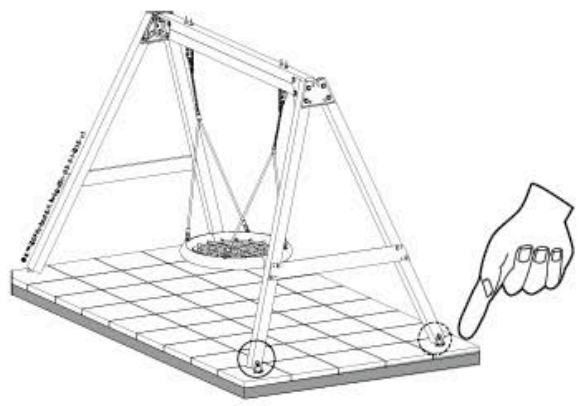
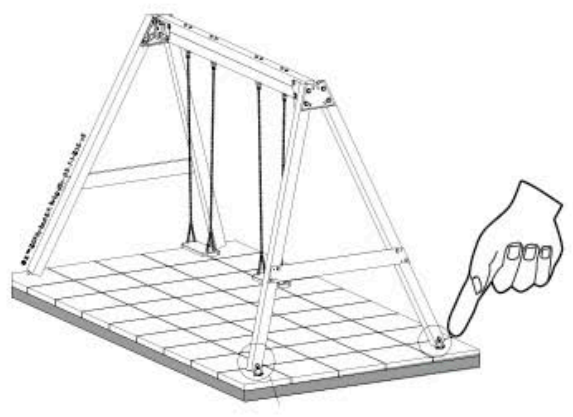
1x
11_002_1020_105_25



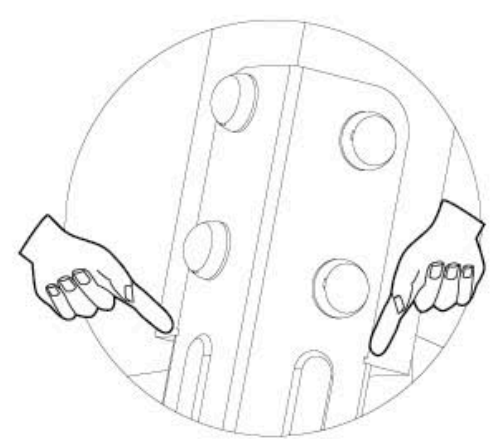
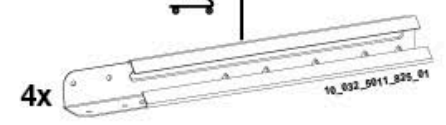
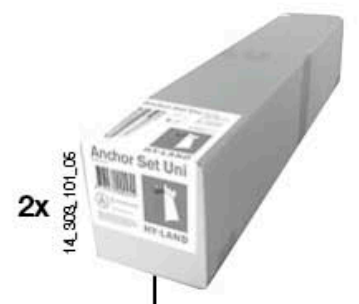
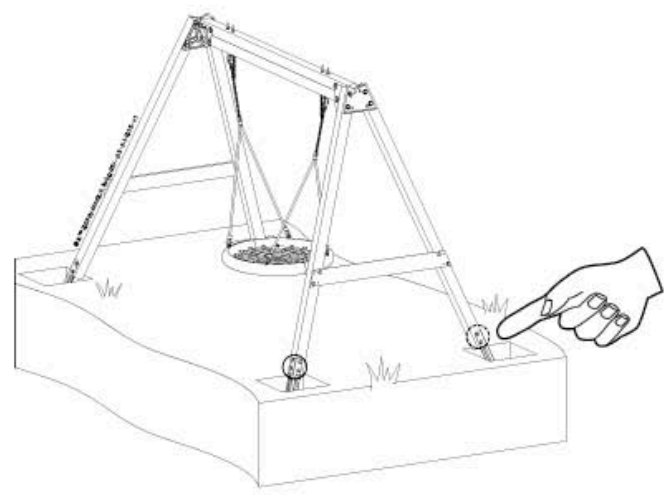
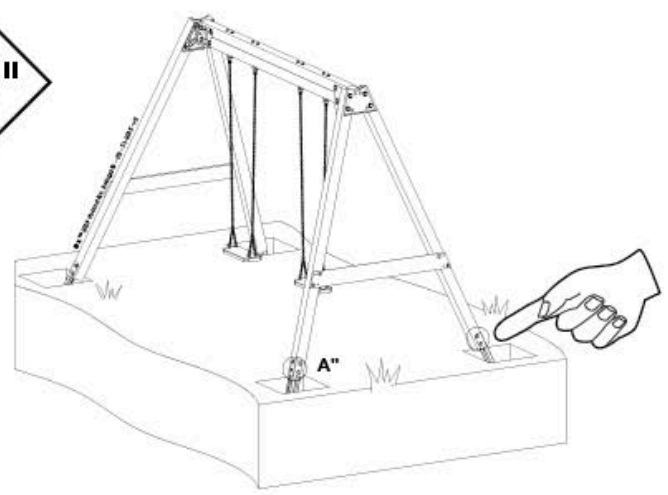
2x

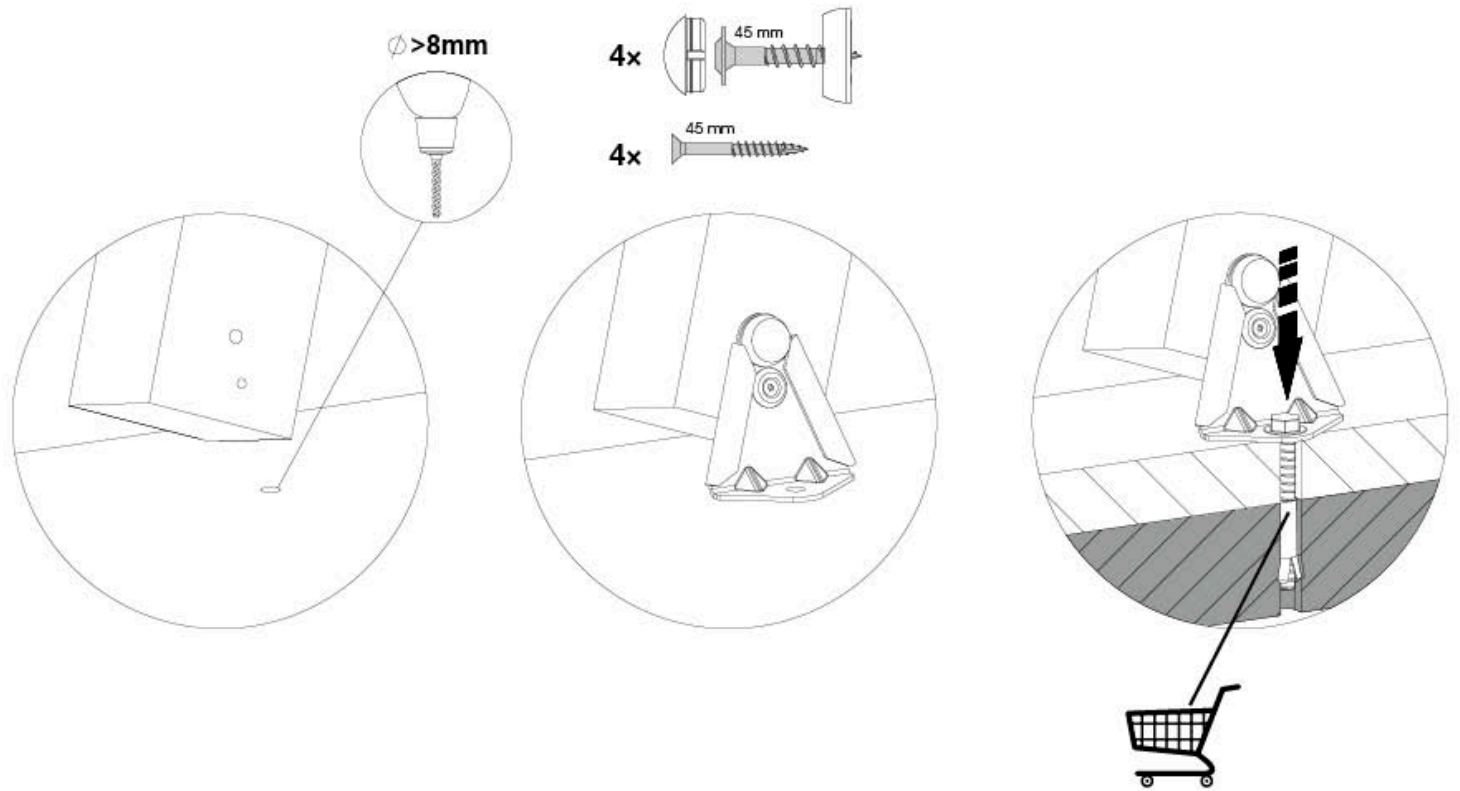


5.5'

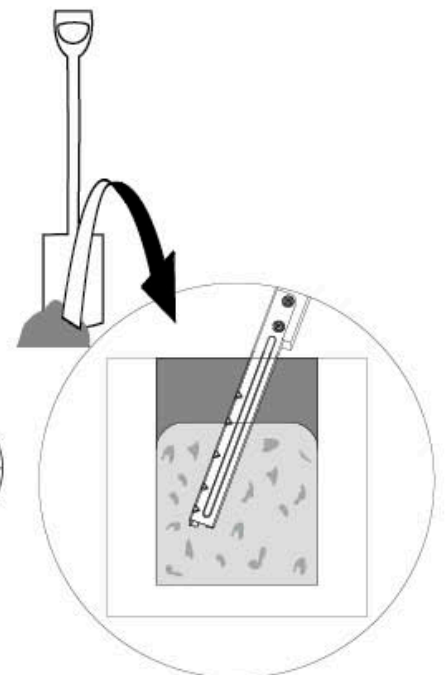
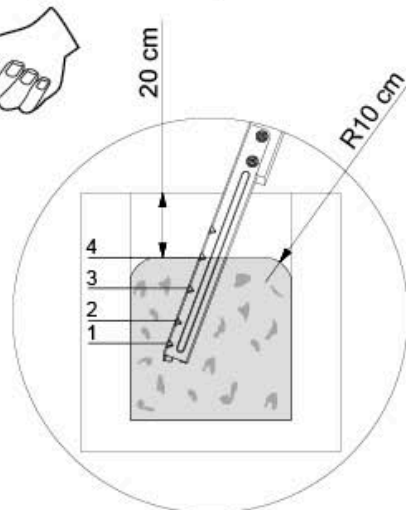
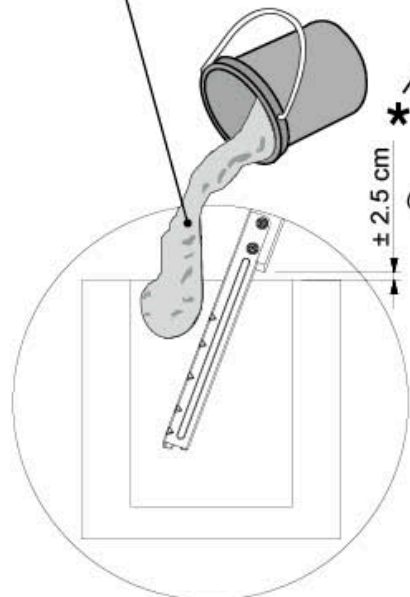


5.5''

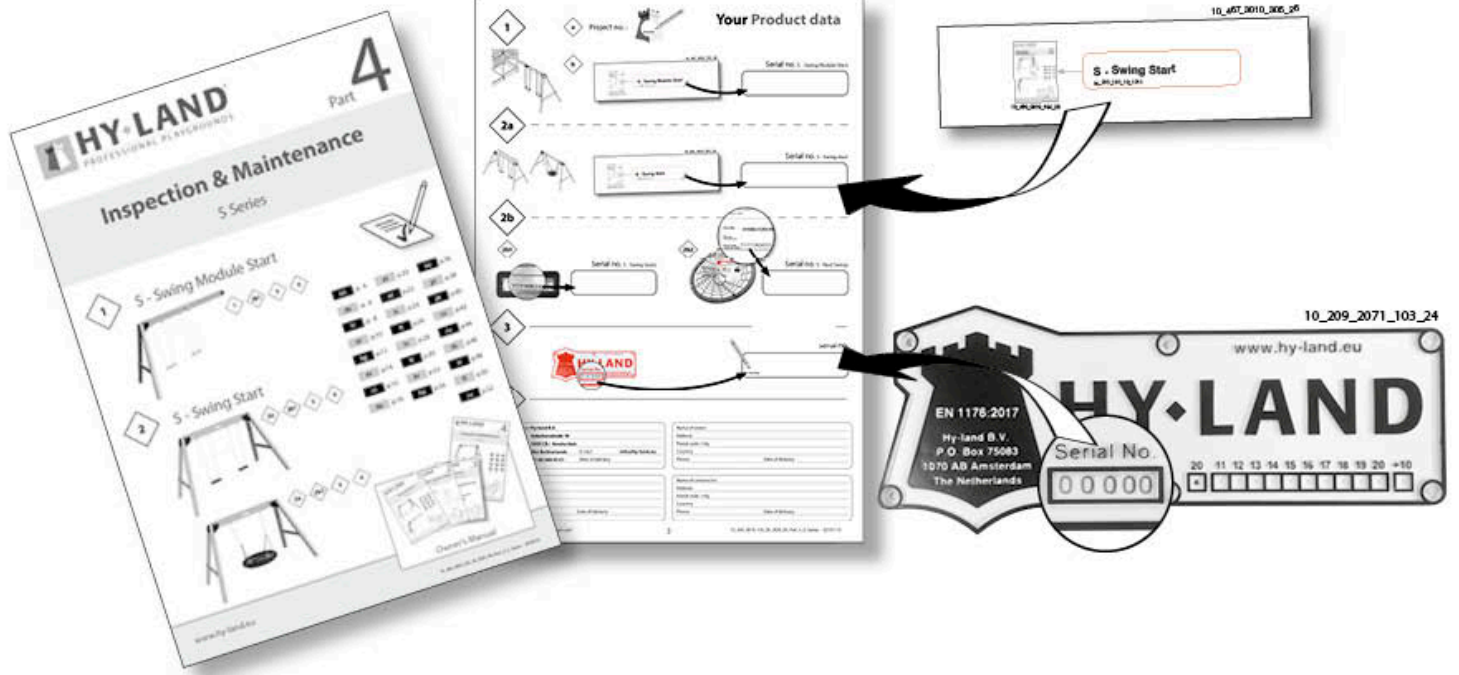




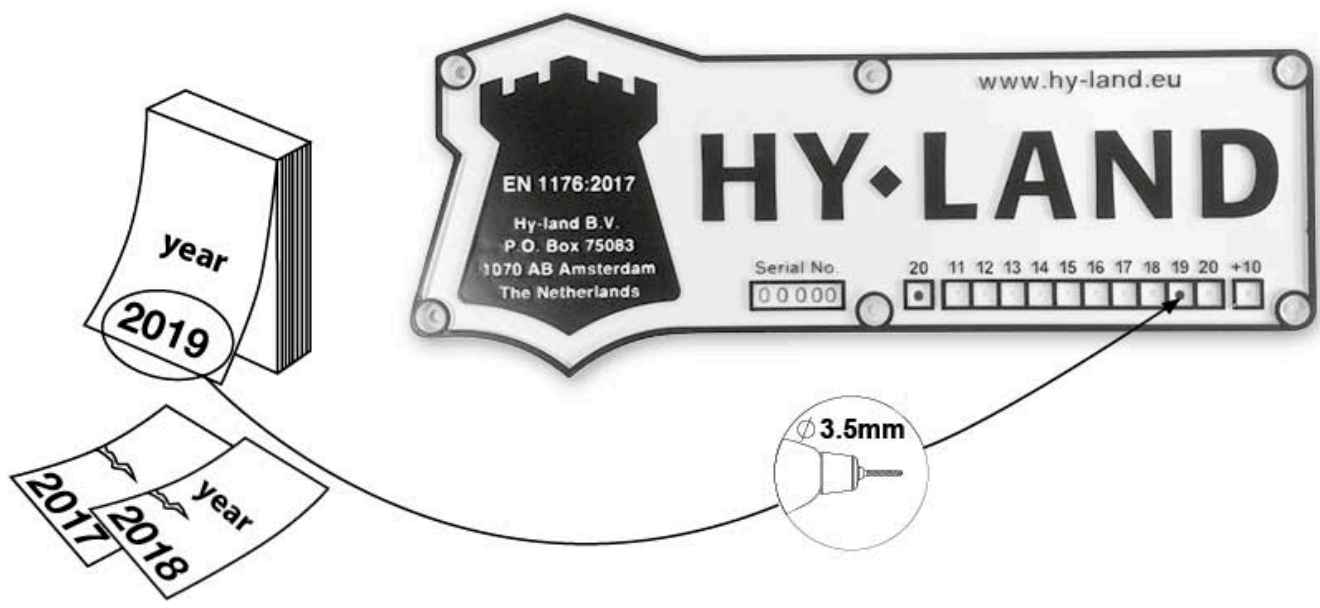
Classic Swing set: $\pm 130\text{ L} / 260\text{ kg}$ (4x)
 Nest Swing set: $\pm 237\text{ L} / 475\text{ kg}$ (4x)



5.6a

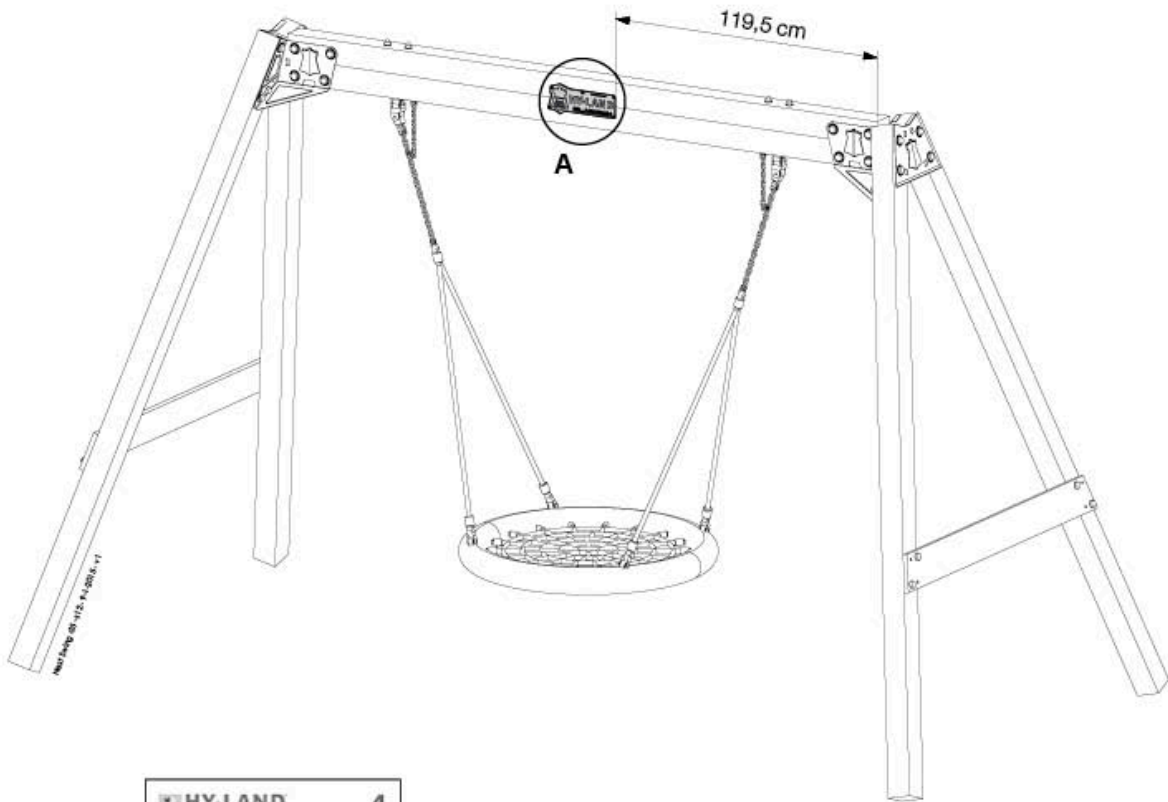
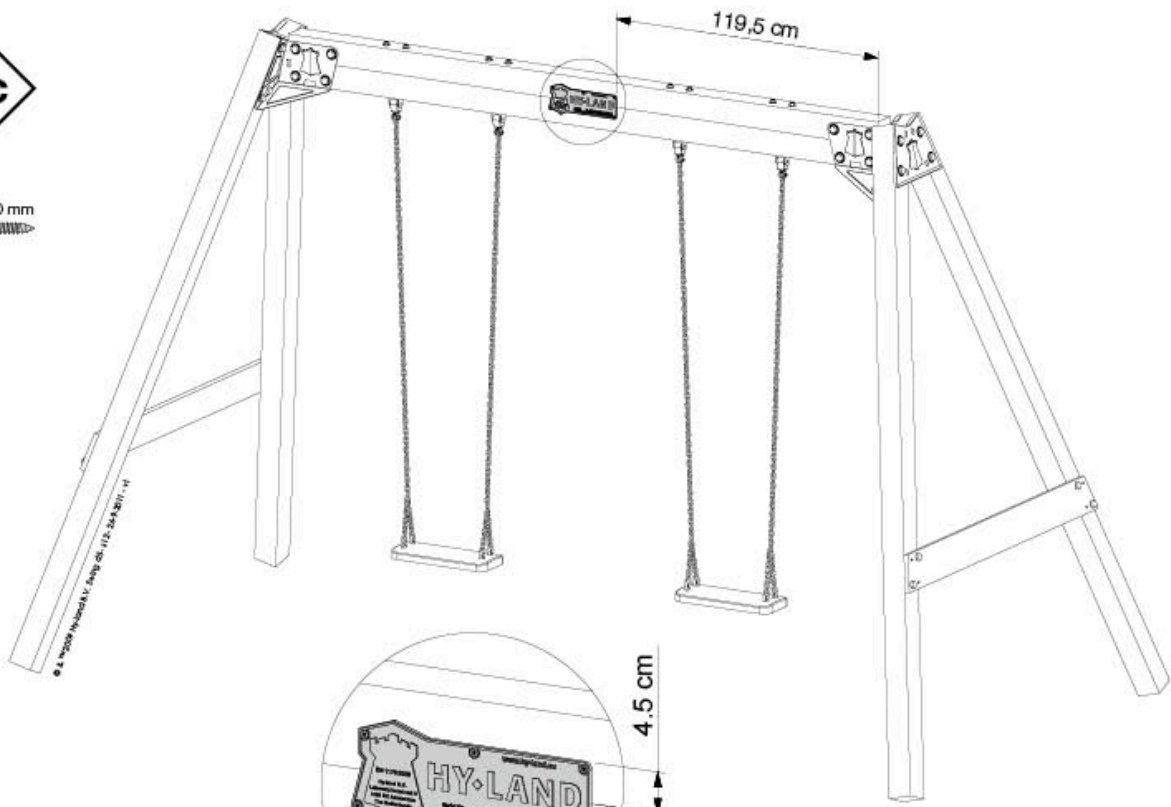


5.6b

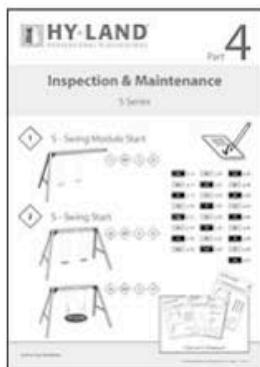


5.6c

6x 20 mm



6



Hy-land B.V.
Valschermkade 18
NL - 1059 CD Amsterdam
The Netherlands

Tel : +31 85 444 41 01
Email : info@hy-land.eu
URL : www.hy-land.eu

Chamber of Commerce :
NL 16.078.319

